

J.L.Fisher

Motion Picture &  
Television Equipment

Winner of the  
cinemaAward  
"Special Award"

*Patents Pending*

# SKATEBOARD WHEELS

FULLY ARTICULATED

EASY TO PUSH, EASY TO PULL

FRICTION FREE TURNING ON CURVED TRACK



Minimum track radius: 10 feet

J.L. FISHER® is a registered trademark of J.L. Fisher, Inc.

1.10.2017

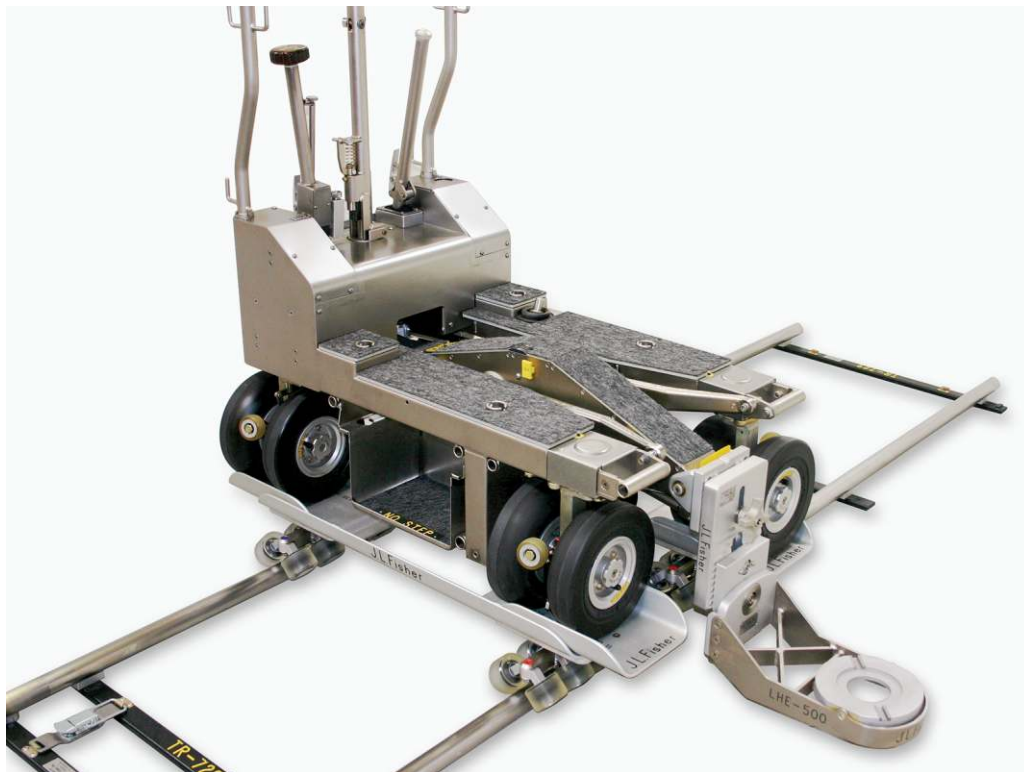
**Caution:** Use proper lifting techniques when lifting dolly.

The Skateboard Wheels incorporate articulating trucks allowing all 32 wheels to maintain contact with the track for better control and stability, on both straight and curved round track. Wheels are precision ground for smoother, quieter operation. Skateboard Wheels work with all J.L. Fisher Dollies and Jib Arms, including the Model 23 Jib. Maximum weight on the Skateboard Wheels is 2000 lbs.



**10 Dolly** - mounted on standard 24.5 inch track  
(With no insert trays)

**11 Dolly** - mounted on standard 24.5 inch track  
(With insert trays)



**11 Dolly Chinese** - mounted on standard 24.5 inch track  
(With insert trays extended)

**Note:** The Model 9 & 10 Dollies cannot be Chinese - mounted

# J.L. Fisher Skateboard Wheels (SBWS)

*Patents Pending*



**10 Dolly**

The channel properly fits the wheel.  
Notice the three points of contact.



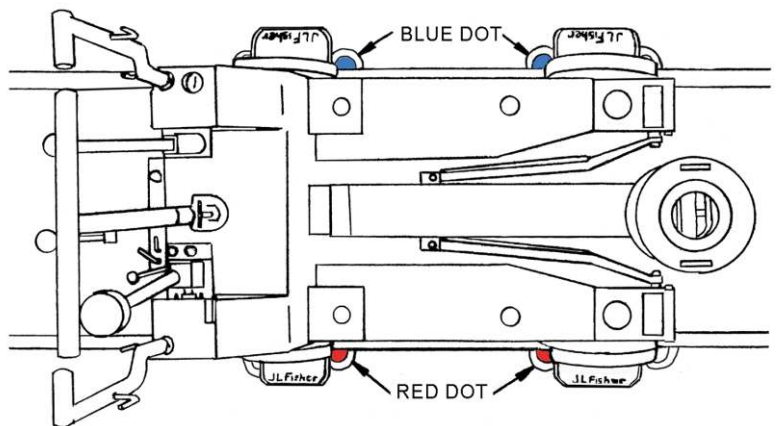
**11 Dolly**

Note: The trays are used for the Model 11 dolly, allowing a perfect fit to the wheel. Notice the three points of contact.



## **SBWS**

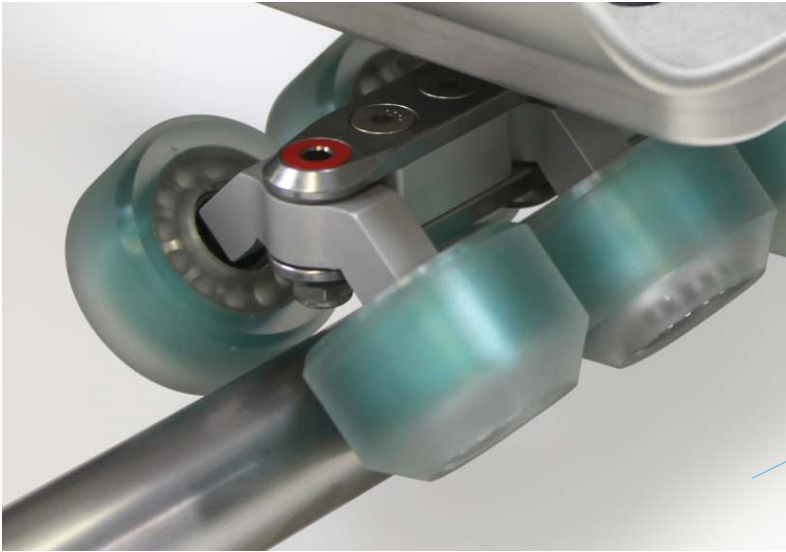
Kit Includes: Case  
SkateBoard Wheels (2)  
Insert Trays (4)  
Instruction Placard



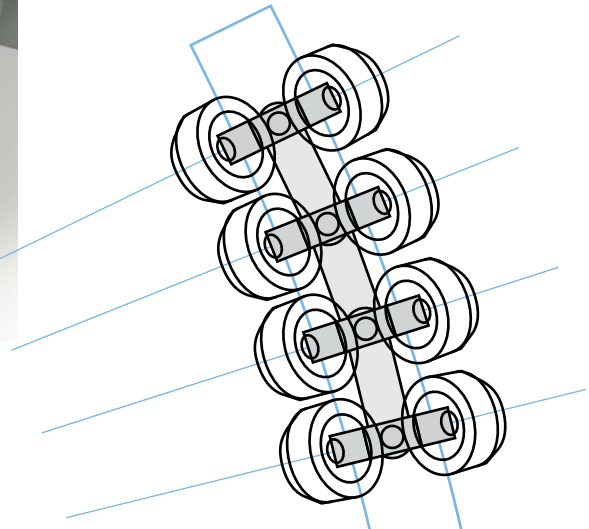
**Note:** When placing the skateboard wheels onto the track, the red dots on the trucks must be on one side of the track, and the blue dots on the other side of the track.

# ARTICULATING TRUCKS

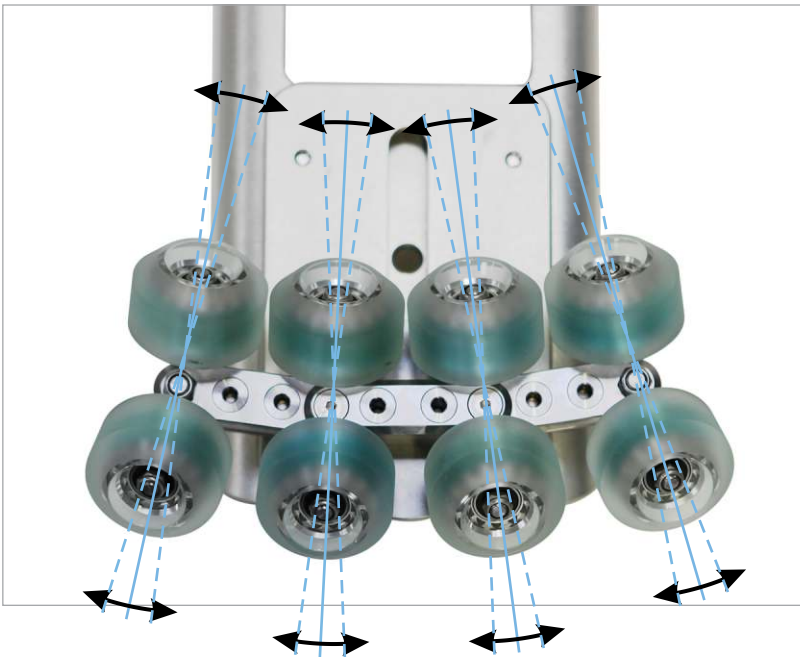
*Patents Pending*



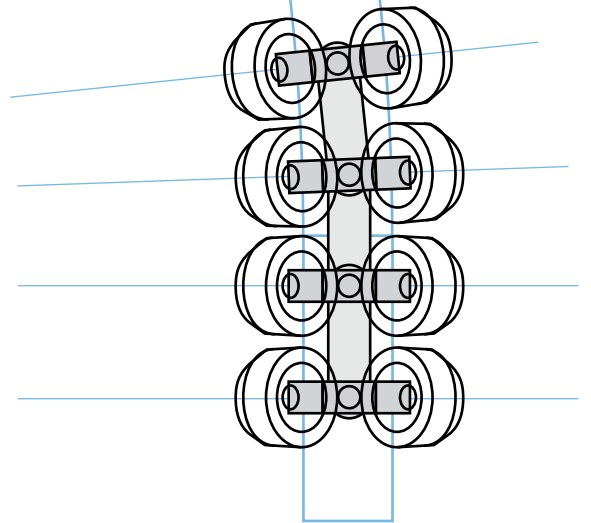
All 32 wheels maintain contact on both straight and curved round track.

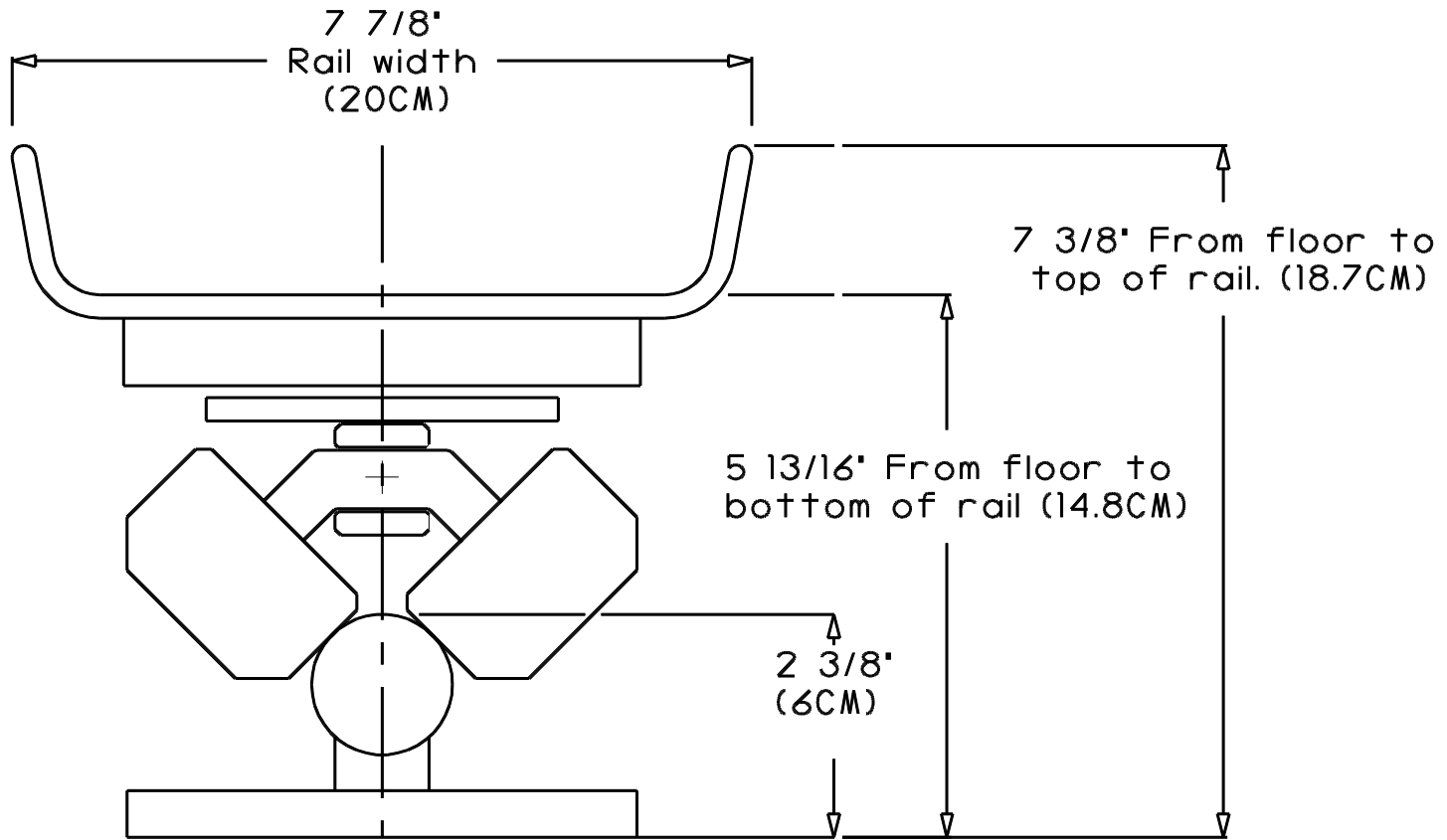


EACH SET OF 2 WHEELS (TRUCK) CAN SWIVEL INDEPENDENTLY



Minimum track radius: 10 feet





Rails @ 32 1/4"(81.9CM) long. or 39 3/4"(101CM) with inserts extended

10.21.14 J.L. Fisher Inc. SBWS Basic Dim.

J.L. FISHER PRODUCTS ARE PROUDLY MADE IN BURBANK, CALIFORNIA U.S.A.

J.L. Fisher, Inc. Motion Picture & Television Equipment 1000 W. Isabel Street, Burbank, CA 91506 U.S.A.  
Tel: (818) 846-8366 / Fax: (818) 846-8699  
Web: www.jlfisher.com e-mail: info@jlfisher.com

J.L. Fisher, GmbH Emil-Hoffmann-Str. 55-59 50996 Köln, Germany  
Tel: +49 2236 3922 0 Fax: +49 2236 3922 12  
Web: www.jlfisher.de e-mail: info@jlfisher.de

Contents © J.L. Fisher, Inc. Printed in U.S.A. Version 8 1.10.2017